

Network Working Group  
Internet-Draft  
Intended Status: Informational  
Expires: October 30, 2015

J. Parello  
B. Claise  
Cisco Systems, Inc.  
B. Schoening  
Independent Consultant  
J. Quittek  
NEC Europe Ltd

January 20, 2014

Energy Management Framework  
draft-ietf-eman-framework-13

### **Status of this Memo**

This Internet-Draft is submitted in full conformance with the provisions of BCP 78 and BCP 79.

Internet-Drafts are working documents of the Internet Engineering Task Force (IETF), its areas, and its working groups. Note that other groups may also distribute working documents as Internet-Drafts.

Internet-Drafts are draft documents valid for a maximum of six months and may be updated, replaced, or obsoleted by other documents at any time. It is inappropriate to use Internet-Drafts as reference material or to cite them other than as "work in progress."

The list of current Internet-Drafts can be accessed at <http://www.ietf.org/ietf/lid-abstracts.txt>

The list of Internet-Draft Shadow Directories can be accessed at <http://www.ietf.org/shadow.html>

This Internet-Draft will expire on October 30 2015.

**Copyright Notice**

Copyright (c) 2014 IETF Trust and the persons identified as the document authors. All rights reserved.

This document is subject to BCP 78 and the IETF Trust's Legal Provisions Relating to IETF Documents (<http://trustee.ietf.org/license-info>) in effect on the date of publication of this document. Please review these documents carefully, as they describe your rights and restrictions with respect to this document. Code Components extracted from this document must include Simplified BSD License text as described in Section 4.e of the Trust Legal Provisions and are provided without warranty as described in the Simplified BSD License.

**Abstract**

This document defines a framework for Energy Management for devices and device components within or connected to communication networks. The framework presents a physical reference model and information model. The information model consists of an Energy Management Domain as a set of Energy Objects. Each Energy Object can be attributed with identity, classification, and context. Energy Objects can be monitored and controlled with respect to power, Power State, energy, demand, Power Attributes, and battery. Additionally the framework models relationships and capabilities between Energy Objects.

**Table of Contents**

1. Introduction.....	3
2. Terminology.....	4
3. Target Devices.....	10
4. Physical Reference Model.....	11
5. Not Covered by the Framework.....	12
6. Energy Management Abstraction.....	13
6.1. Conceptual Model.....	13
6.2. Energy Object (Class).....	14
6.3. Energy Object Attributes.....	15
6.4. Measurements.....	18
6.5. Control.....	20
6.6. Relationships.....	25
7. Energy Management Information Model.....	29
8. Modeling Relationships between Devices.....	33
8.1. Power Source Relationship.....	33
8.2. Metering Relationship.....	37
8.3. Aggregation Relationship.....	38
9. Relationship to Other Standards.....	39
10. Implementation Status.....	39
11. Security Considerations.....	40
11.1. Security Considerations for SNMP.....	40
12. IANA Considerations.....	41
12.1. IANA Registration of new Power State Sets.....	41
12.2. Updating the Registration ... Power State Sets.....	43
13. References.....	43
14. Acknowledgments.....	46
<b>Appendix A. Information Model Listing.....</b>	<b>46</b>
Authors' Addresses.....	56

**1. Introduction**

Network management is often divided into the five main areas defined in the ISO Telecommunications Management Network model: Fault, Configuration, Accounting, Performance, and Security Management (FCAPS) [X.700]. Not covered by this traditional management model is Energy Management, which is rapidly becoming a critical area of concern worldwide, as seen in [ISO50001].

This document defines an Energy Management framework for devices within or connected to communication networks. The devices, or components of these devices (such as line cards, fans, disks) can then be monitored and controlled. Monitoring includes measuring power, energy, demand, and attributes of power. Energy control can be performed by setting a devices' or components' state. The framework also

covers monitoring and control of batteries contained in devices.

This framework further describes how to identify, classify and provide context for such devices. While context information is not specific to Energy Management, some context attributes are specified in the framework, addressing the following use cases: how important is a device in terms of its business impact, how should devices be grouped for reporting and searching, and how should a device role be described. Guidelines for using context for Energy Management are described.

The framework introduces the concept of a Power Interface that is analogous to a network interface. A Power Interface is defined as an interconnection among devices where energy can be provided, received, or both.

The most basic example of Energy Management is a single device reporting information about itself. In many cases, however, energy is not measured by the device itself, but measured upstream in the power distribution tree. For example, a power distribution unit (PDU) may measure the energy it supplies to attached devices and report this to an energy management system. Therefore, devices often have relationships to other devices or components in the power network. An EnMS (Energy Management System) generally requires an understanding of the power topology (who provides power to whom), the metering topology (who meters whom), and an understanding of the potential aggregation (who aggregates values of others).

The relationships build on the Power Interface concept. The different relationships among devices and components, specified in this document, include: power source, metering, and aggregation relationships.

## 2. Terminology

The key words "MUST", "MUST NOT", "REQUIRED", "SHALL", "SHALL NOT", "SHOULD", "SHOULD NOT", "RECOMMENDED", "MAY", and "OPTIONAL" in this document are to be interpreted as described in RFC-2119 [RFC2119].

In this document these words will appear with that interpretation only when in ALL CAPS. Lower case uses of these words are not to be interpreted as carrying RFC-2119 significance.

In this section some terms have a NOTE that is not part of the definition itself, but accounts for differences between terminologies of different standards organizations or further clarifies the definition.

The terms are listing in an order that aids in reading where terms may build off a previous term as opposed to an alphabetical ordering. Some terms that are common in electrical engineering or that describe common physical items use a lower case notation.

### **Energy Management**

Energy Management is a set of functions for measuring, modeling, planning, and optimizing networks to ensure that the network and network attached devices use energy efficiently and appropriately for the nature of the application and the cost constraints of the organization.

Reference: Adapted from [ITU-T-M-3400]

#### NOTES:

1. Energy Management refers to the activities, methods, procedures and tools that pertain to measuring, modeling, planning, controlling and optimizing the use of energy in networked systems [NMF].
2. Energy Management is a management domain which is congruent to any of the FCAPS areas of management in the ISO/OSI Network Management Model [TMN]. Energy Management for communication networks and attached devices is a subset or part of an organization's greater Energy Management Policies.

### **Energy Management System (EnMS)**

An Energy Management System is a combination of hardware and software used to administer a network with the primary purpose of energy management.

#### NOTES:

1. An Energy Management System according to [ISO50001] (ISO-EnMS) is a set of systems or procedures upon which organizations can develop and implement an energy policy, set targets, action plans and take into account legal requirements related to energy use. An ISO-EnMS allows organizations to improve energy performance and demonstrate conformity to requirements, standards, and/or legal requirements.

2. Example ISO-EnMS: Company A defines a set of policies and procedures indicating there should exist multiple computerized systems that will poll energy measurements from their meters and pricing / source data from their local utility. Company A specifies that their CFO (Chief Financial Officer) should collect information and summarize it quarterly to be sent to an accounting firm to produce carbon accounting reporting as required by their local government.

3. For the purposes of EMAN, the definition herein is the preferred meaning of an Energy Management System (EnMS). The definition from [ISO50001] can be referred to as ISO Energy Management System (ISO-EnMS).

### **Energy Monitoring**

Energy Monitoring is a part of Energy Management that deals with collecting or reading information from devices to aid in Energy Management.

### **Energy Control**

Energy Control is a part of Energy Management that deals with directing influence over devices.

### **electrical equipment**

A general term including materials, fittings, devices, appliances, fixtures, apparatus, machines, etc., used as a part of, or in connection with, an electric installation.

Reference: [IEEE100]

### **non-electrical equipment (mechanical equipment)**

A general term including materials, fittings, devices, appliances, fixtures, apparatus, machines, etc., used as a part of, or in connection with, non-electrical power installations.

Reference: Adapted from [IEEE100]

### **device**

A piece of electrical or non-electrical equipment.

Reference: Adapted from [IEEE100]

### **component**

A part of an electrical or non-electrical equipment (device).

Reference: Adapted from [ITU-T-M-3400]

**power inlet**

A power inlet (or simply inlet) is an interface at which a device or component receives energy from another device or component.

**power outlet**

A power outlet (or simply outlet) is an interface at which a device or component provides energy to another device or component.

**energy**

That which does work or is capable of doing work. As used by electric utilities, it is generally a reference to electrical energy and is measured in kilowatt hours (kWh).

Reference: [IEEE100]

## NOTES

1. Energy is the capacity of a system to produce external activity or perform work [ISO50001]

**power**

The time rate at which energy is emitted, transferred, or received; usually expressed in watts (joules per second).

Reference: [IEEE100]

**demand**

The average value of power or a related quantity over a specified interval of time. Note: Demand is expressed in kilowatts, kilovolt-amperes, kilovars, or other suitable units.

Reference: [IEEE100]

## NOTES:

1. While IEEE100 defines demand in kilo measurements, for EMAN we use watts with any suitable metric prefix.

**provide energy**

A device (or component) "provides" energy to another device if there is an energy flow from this device to the other one.

**receive energy**

A device (or component) "receives" energy from another device if there is an energy flow from the other device to this one.

**meter (energy meter)**

a device intended to measure electrical energy by integrating power with respect to time.

Reference: Adapted from [IEC60050]

**battery**

one or more cells (consisting of an assembly of electrodes, electrolyte, container, terminals and usually separators) that are a source and/or store of electric energy.

Reference: Adapted from [IEC60050]

**Power Interface**

A power inlet, outlet, or both.

**Nameplate Power**

The Nameplate Power is the nominal power of a device as specified by the device manufacturer.

**Power Attributes**

Measurements of the electrical current, voltage, phase and frequencies at a given point in an electrical power system.

Reference: Adapted from [IEC60050]

**NOTES:**

1. Power Attributes are not intended to be judgmental with respect to a reference or technical value and are independent of any usage context.

**Power Quality**

Characteristics of the electrical current, voltage, phase and frequencies at a given point in an electric power system, evaluated against a set of reference technical parameters. These parameters might, in some cases, relate to the compatibility between electricity supplied in an electric power system and the loads connected to that electric power system.

Reference: [IEC60050]

**NOTES:**



1. Electrical characteristics representing power quality information are typically required by customer facility energy management systems. It is not intended to satisfy the detailed requirements of power quality monitoring. Standards typically also give ranges of allowed values; the information attributes are the raw measurements, not the "yes/no" determination by the various standards.

Reference: [ASHRAE-201]

**Power State**

A Power State is a condition or mode of a device (or component) that broadly characterizes its capabilities, power, and responsiveness to input.

Reference: Adapted from [IEEE1621]

**Power State Set**

A Power State Set is a collection of Power States that comprises a named or logical control grouping.

### 3. Target Devices

With Energy Management, there exists a wide variety of devices that may be contained in the same deployment as a communication network but comprise a separate facility, home, or power distribution network.

Energy Management has special challenges because a power distribution network supplies energy to devices and components, while a separate communications network monitors and controls the power distribution network.

The target devices for Energy Management are all devices that can be monitored or controlled (directly or indirectly) by an Energy Management System (EnMS). These target devices include, for example:

- o Simple electrical appliances and fixtures
- o Hosts, such as a PC, a server, or a printer
- o Switches, routers, base stations, and other network equipment and middle boxes
- o Components within devices, such as a battery inside a PC, a line card inside a switch, etc.
- o Power over Ethernet (PoE) endpoints
- o Power Distribution Units (PDU)
- o Protocol gateway devices for Building Management Systems (BMS)
- o Electrical meters
- o Sensor controllers with subtended sensors

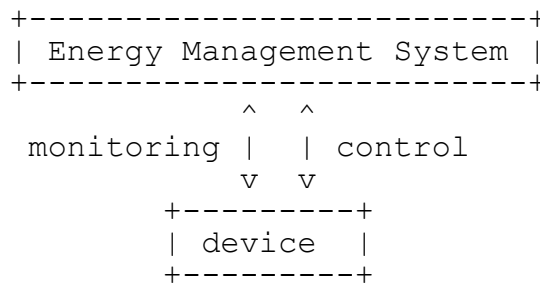
Target devices include devices that communicate via the Internet Protocol (IP) as well as devices using other means for communication. The latter are managed through gateways or proxies that can communicate using IP.

#### 4. Physical Reference Model

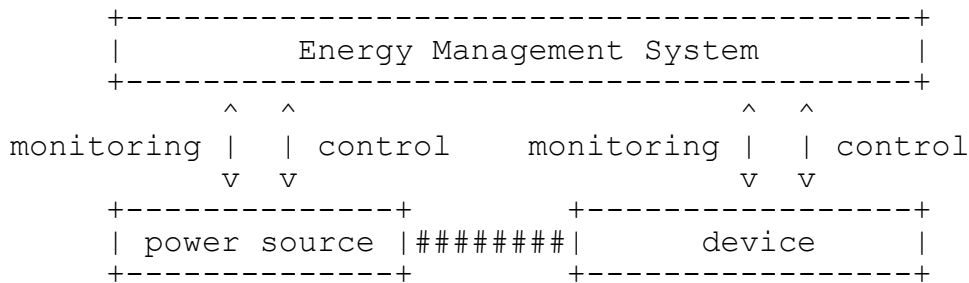
The following reference model describes physical power topologies that exist in parallel to a communication topology. While many more topologies can be created with combination of devices, the following are some basic ones that show how Energy Management topologies differ from Network Management topologies.

NOTE: "###" is used to denote a transfer of energy.  
 - > is used to denote a transfer of information.

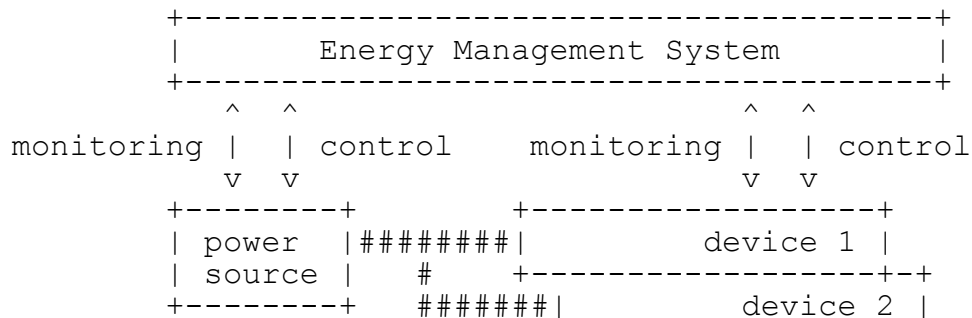
##### Basic Energy Management



##### Basic Power Supply



##### Single Power Supply with Multiple Devices



```

#      +-----+
#####|          device 3 |
      +-----+
    
```

**Multiple Power Supplies with Single Devices**

```

+-----+
|          Energy Management System          |
+-----+
      ^ ^          ^ ^          ^ ^
mon. | | ctrl.  mon. | | ctrl.  mon. | | ctrl.
      v v          v v          v v
+-----+      +-----+      +-----+
| power   |#####| device  |#####| power   |
| source 1|#####|         |         | source 2 |
+-----+      +-----+      +-----+
    
```

**5. Not Covered by the Framework**

While this framework is intended as a framework for Energy Management in general, there are some areas that are not covered.

**Non-Electrical Equipment**

The primary focus of this framework is the management of electrical equipment. Non-Electrical equipment can be covered by the framework by providing interfaces that comply with the framework. For example, using the same units for power and energy. Therefore, non-electrical equipment that do not convert-to or present-as equivalent to electrical equipment are not addressed.

**Energy Procurement and Manufacturing**

While an EnMS may be a central point for corporate reporting, cost computation, environmental impact analysis, and regulatory compliance reporting - Energy Management in this framework excludes energy procurement and the environmental impact of energy use.

- As such the framework does not include:
- o Cost in currency or environmental units of manufacturing a device.
  - o Embedded carbon or environmental equivalences of a device

- o Cost in currency or environmental impact to dismantle or recycle a device.
- o Supply chain analysis of energy sources for device deployment
- o Conversion of the usage or production of energy to units expressed from the source of that energy (such as the greenhouse gas emissions associated the transfer of energy from a diesel source).

**6. Energy Management Abstraction**

This section describes a conceptual model of information that can be used for Energy Management. The classes and categories of attributes in the model are described with rationale for each.

**6.1. Conceptual Model**

This section describes an information model that addressing issues specific to Energy Management, which complements existing Network Management models.

An information model for Energy Management will need to describe a means to monitor and control devices and components. The model will also need to describe the relationships among and connections between devices and components.

This section proposes a similar conceptual model for devices and components to that used in Network Management: devices, components, and interfaces. This section then defines the additional attributes specific to Energy Management for those entities that are not available in existing Network Management models.

For modeling the devices and components this section describes three classes: a Device (Class), a Component (Class), and a Power Interface (Class). These classes are sub-types of an abstract Energy Object (Class).

Summary of Notation for Modeling Physical Equipment

Physical	Modeling (Meta Data)	Model Instance
equipment	Energy Object (Class)	Energy Object
device	Device (Class)	Device
component	Component (Class)	Component
inlet / outlet	Power Interface (Class)	Power Interface

This section then describes the attributes of an Energy Object (Class) for identification, classification, context, control, power and energy.

Since the interconnections between devices and components for Energy Management may have no relation to the interconnections for Network Management the Energy Object (Classes) contain a separate Relationships (Class) as an attribute to model these types of interconnections.

The next sections describe the each of the classes and categories of attributes in the information model.

Not all of the attributes are mandatory for implementations. Specifications describing implementations of the information model in this framework need to be explicit about which are mandatory and which are optional to implement

The formal definitions of the classes and attributes are specified in Section 7.

## **6.2. Energy Object (Class)**

An Energy Object (Class) represents a piece of equipment that is part of, or attached to, a communications network which is monitored, controlled, or aids in the management of another device for Energy Management.

The Energy Object (Class) is an abstract class that contains the base attributes to represent a piece of equipment for Energy Management. There are three types of Energy Object (Class)'s: Device (Class), Component (Component) and Power Interface (Class).

### **6.2.1. Device (Class)**

The Device (Class) is a sub-class of Energy Object (Class) that represents a physical piece of equipment.

A Device (Class) instance represents a device that is a consumer, producer, meter, distributor, or store of energy.

A Device (Class) instance may represent a physical device that contains other components.

### 6.2.2. Component (Class)

The Component (Class) is a sub-class of Energy Object (Class) that represents a part of a physical piece of equipment.

### 6.2.3. Power Interface (Class)

A Power Interface (Class) represents the interconnections (inlet, outlet) among devices or components where energy can be provided, received, or both.

The Power Interface (Class) is a sub-class of Energy Object (Class) that represents a physical inlet or outlet.

There are some similarities between Power Interfaces and network interfaces. A network interface can be set to different states, such as sending or receiving data on an attached line. Similarly, a Power Interface can be receiving or providing energy.

A Power Interface (Class) instance can represent (physically) an AC power socket, an AC power cord attached to a device, or an 8P8C (RJ45) PoE socket, etc.

## 6.3. Energy Object Attributes

This section describes categories of attributes for an Energy Object (Class).

### 6.3.1. Identification

A Universal Unique Identifier (UUID) [RFC4122] is used to uniquely and persistently identify an Energy Object.

Every Energy Object has an optional unique printable name. Possible naming conventions are: textual DNS name, MAC address of the device, interface ifName, or a text string uniquely identifying the Energy Object. As an example, in the case of IP phones, the Energy Object name can be the device's DNS name.

Additionally an alternate key is provided to allow an Energy Object to be optionally linked with models in different systems.

### 6.3.2. Context in General

In order to aid in reporting and in differentiation between Energy Objects, each object optionally contains information establishing its business, site, or organizational context within a deployment.

The Energy Object (Class) contains a category attribute that broadly describes how an instance is used in a deployment. The category indicates if the Energy Object is primarily functioning as a consumer, producer, meter, distributor or store of energy.

Given the category and context of an object, an EnMS can summarize or analyze measurements for the site.

### 6.3.3. Context: Importance

An Energy Object can provide an importance value in the range of 1 to 100 to help rank a device's use or relative value to the site. The importance range is from 1 (least important) to 100 (most important). The default importance value is 1.

For example: A typical office environment has several types of phones, which can be rated according to their business impact. A public desk phone has a lower importance (for example, 10) than a business-critical emergency phone (for example, 100). As another example: A company can consider that a PC and a phone for a customer-service engineer are more important than a PC and a phone for lobby use.

Although EnMS and administrators can establish their own ranking, the following example is a broad recommendation for commercial deployments [CISCO-EW]:

- 90 to 100 Emergency response
- 80 to 90 Executive or business-critical
- 70 to 79 General or Average
- 60 to 69 Staff or support
- 40 to 59 Public or guest
- 1 to 39 Decorative or hospitality

### 6.3.4. Context: Keywords

The Energy Object (Class) contains an attribute with context keywords.

An Energy Object can provide a set of keywords that are a list of tags that can be used for grouping, for summary



reporting (within or between Energy Management Domains), and for searching.

All alphanumeric characters and symbols (other than a comma), such as #, (, \$, !, and &, are allowed. Potential examples are: IT, lobby, HumanResources, Accounting, StoreRoom, CustomerSpace, router, phone, floor2, or SoftwareLab.

There is no default value for a keyword. Multiple keywords can be assigned to an Energy Object. White spaces before and after the commas are excluded, as well as within a keyword itself. In such cases, commas separate the keywords and no spaces between keywords are allowed. For example, "HR,Bldg1,Private".

### 6.3.5. Context: Role

The Energy Object (Class) contains a role attribute. The "role description" string indicates the primary purpose the Energy Object serves in the deployment. This could be a string representing the purpose the Energy Object fulfills in the deployment.

Administrators can define any naming scheme for the role. As guidance, a two-word role that combines the service the Energy Object provides along with type can be used [IPENERGY].

Example types of devices: Router, Switch, Light, Phone, WorkStation, Server, Display, Kiosk, HVAC.

Example Services by Line of Business:

Line of Business	Service
Education	Student, Faculty, Administration, Athletic
Finance	Trader, Teller, Fulfillment
Manufacturing	Assembly, Control, Shipping
Retail	Advertising, Cashier
Support	Helpdesk, Management
Medical	Patient, Administration, Billing

Role as a two-word string: "Faculty Desktop", "Teller Phone", "Shipping HVAC", "Advertising Display", "Helpdesk Kiosk", "Administration Switch".

### 6.3.6. Context: Domain

The Energy Object (Class) contains a string attribute to indicate membership in an Energy Management Domain. An Energy Management Domain can be any collection of Energy Objects in a deployment, but it is recommended to map 1:1 with a metered or sub-metered portion of the site.

In building management, a meter refers to the meter provided by the utility used for billing and measuring power to an entire building or unit within a building. A sub-meter refers to a customer- or user-installed meter that is not used by the utility to bill but is instead used to get measurements from sub portions of a building.

An Energy Object should be a member of a single Energy Management Domain therefore one attribute is provided.

## 6.4. Measurements

The Energy Object (Class) contains attributes to describe power, energy and demand measurements.

An analogy for understanding power versus energy measurements can be made to speed and distance in automobiles. Just as a speedometer indicates the rate of change of distance (speed), a power measurement indicates the rate of transfer of energy. The odometer in an automobile measures the cumulative distance traveled and similarly an energy measurement indicates the accumulated energy transferred.

Demand measurements are averages of power measurements over time. So using the same analogy to an automobile: measuring the average vehicle speed over multiple intervals of time for a given distance travelled, demand is the average power measured over multiple time intervals for a given energy value.

Within this framework, energy will only be quantified in units of watt-hours. Physical devices measuring energy in other units must convert values to watt-hours or be represented by Energy Objects that convert to watt-hours.

### 6.4.1. Measurements: Power

The Energy Object (Class) contains a Nameplate Power attribute that describes the nominal power as specified by the manufacturer of the device. The EnMS can use the

Nameplate Power for provisioning, capacity planning and (potentially) billing.

The Energy Object (Class) has attributes that describe the present power information, along with how that measurement was obtained or derived (e.g., actual, estimated, or static).

A power measurement is qualified with the units, magnitude and direction of power flow, and is qualified as to the means by which the measurement was made.

Power measurement magnitude conforms to the [IEC61850] definition of unit multiplier for the SI (System International) units of measure. Measured values are represented in SI units obtained by  $\text{BaseValue} * (10^{\text{Scale}})$ . For example, if current power usage of an Energy Object is 17, it could be 17 W, 17 mW, 17 kW, or 17 mW, depending on the value of the scaling factor. 17 W implies that the BaseValue is 17 and Scale = 0, whereas 17 mW implies BaseValue = 17 and ScaleFactor = -3.

An Energy Object (Class) indicates how the power measurement was obtained with a caliber and accuracy attribute that indicates:

- o Whether the measurements were made at the device itself or at a remote source.
- o Description of the method that was used to measure the power and whether this method can distinguish actual or estimated values.
- o Accuracy for actual measured values

#### **6.4.2. Measurements: Power Attributes**

The Energy Object (Class) contains an optional attribute that describes Power Attribute information reflecting the electrical characteristics of the measurement. These Power Attributes adhere to the [IEC-61850-7-2] standard for describing AC measurements.

#### **6.4.3. Measurements: Energy**

The Energy Object (Class) contains optional attributes that represent the energy used, received, produced and or stored. Typically only devices or components that can measure actual power will have the ability to measure energy.

#### 6.4.4. Measurements: Demand

The Energy Object (Class) contains optional attributes that represent demand information over time. Typically only devices or components that can report actual power are capable of measuring demand.

#### 6.5. Control

The Energy Object (Class) contains a Power State Set (Class) attribute that represents the set of Power States a device or component supports.

A Power State describes a condition or mode of a device or component. While Power States are typically used for control they may be used for monitoring only.

A device or component is expected to support at least one set of Power States consisting of at least two states, an on state and an off state.

There are many existing standards describing device and component Power States. The framework supports modeling a mixed set of Power States defined in different standards. A basic example is given by the three Power States defined in IEEE1621 [IEEE1621]: on, off, and sleep. The DMTF [DMTF], ACPI [ACPI], and PWG all define larger numbers of Power States.

The semantics of a Power State are specified by

- a) the functionality provided by an Energy Object in this state,
- b) a limitation of the power that an Energy Object uses in this state,
- c) a combination of a) and b)

The semantics of a Power State should be clearly defined. Limitation (curtailment) of the power used by an Energy Object in a state may be specified by:

- o an absolute power value
- o a percentage value of power relative to the energy object's nameplate power
- o an indication of power relative to another power state. For example: Specify that power in state A is less than in state B.

- o For supporting Power State management an Energy Object provides statistics on Power States including the time an Energy Object spent in a certain Power State and the number of times an Energy Object entered a power state.

When requesting an Energy Object to enter a Power State an indication of the Power State's name or number can be used. Optionally an absolute or percentage of Nameplate Power can be provided to allow the Energy Object to transition to a nearest or equivalent Power State.

When an Energy Object is set to a particular Power State, the represented device or component may be busy. The Energy Object should set the desired Power State and then update the actual Power State when the device or component changes. There are then two Power State (Class) control attributes: actual and requested.

The following sections describe well-known Power States for devices and components that should be modeled in the information model.

#### **6.5.1. Power State Sets**

There are several standards and implementations of Power State Sets. The Energy Object (Class) support modeling one or multiple Power State Set implementation(s) on the device or component concurrently.

There are currently three Power State Sets advocated:

IEEE1621(256)	-	[IEEE1621]
DMTF(512)	-	[DMTF]
EMAN(768)	-	[this document]

The respective specific states related to each Power State Set are specified in the following sections. The guidelines for the modification of Power State Sets are specified in the IANA Considerations Section.

#### **6.5.2. Power State Set: IEEE1621**

The IEEE1621 Power State Set [IEEE1621] consists of 3 rudimentary states: on, off or sleep.

In IEEE1621 devices are limited to the three basic power states – on, sleep, and off. Any additional power states are variants of one of the basic states rather than a fourth state [IEEE1621].

### 6.5.3. Power State Set: DMTF

The DMTF [DMTF] standards organization has defined a power profile standard based on the CIM (Common Information Model) model that consists of 15 power states:

```
{ON (2), SleepLight (3), SleepDeep (4), Off-Hard (5), Off-Soft (6), Hibernate(7), PowerCycle Off-Soft (8), PowerCycle Off-Hard (9), MasterBus reset (10), Diagnostic Interrupt (11), Off-Soft-Graceful (12), Off-Hard Graceful (13), MasterBus reset Graceful (14), Power-Cycle Off-Soft Graceful (15), PowerCycle-Hard Graceful (16)}
```

The DMTF standard is targeted for hosts and computers. Details of the semantics of each Power State within the DMTF Power State Set can be obtained from the DMTF Power State Management Profile specification [DMTF].

The DMTF power profile extends ACPI power states. The following table provides a mapping between DMTF and ACPI Power State Set:

DMTF	ACPI
Reserved(0)	
Reserved(1)	
ON (2)	G0-S0
Sleep-Light (3)	G1-S1 G1-S2
Sleep-Deep (4)	G1-S3
Power Cycle (Off-Soft) (5)	G2-S5
Off-hard (6)	G3
Hibernate (Off-Soft) (7)	G1-S4
Off-Soft (8)	G2-S5
Power Cycle (Off-Hard) (9)	G3
Master Bus Reset (10)	G2-S5
Diagnostic Interrupt (11)	G2-S5
Off-Soft Graceful (12)	G2-S5
Off-Hard Graceful (13)	G3
MasterBus Reset Graceful (14)	G2-S5
Power Cycle off-soft Graceful (15)	G2-S5
Power Cycle off-hard Graceful (16)	G3

### 6.5.4. Power State Set: IETF EMAN

The EMAN Power States are an expansion of the basic Power States as defined in [IEEE1621] that also incorporates the Power States defined in [ACPI] and [DMTF]. Therefore, in addition to the non-operational states as defined in [ACPI]

and [DMTF] standards, several intermediate operational states have been defined.

Physical devices and components are expected to support the EMAN Power State Set or to be modeled via an Energy Object that supports these states.

An Energy Object may implement fewer or more Power States than a particular EMAN Power State Set specifies. In that case, the Energy Object implementation can determine its own mapping to the predefined EMAN Power States within the EMAN Power State Set.

There are twelve EMAN Power States that expand on [IEEE1621]. The expanded list of Power States is derived from [CISCO-EW] and is divided into six operational states and six non-operational states.

The lowest non-operational state is 1 and the highest is 6. Each non-operational state corresponds to an [ACPI] Global and System state between G3 (hard-off) and G1 (sleeping). Each operational state represents a performance state, and may be mapped to [ACPI] states P0 (maximum performance power) through P5 (minimum performance and minimum power).

In each of the non-operational states (from `mechoff(1)` to `ready(6)`), the Power State preceding it is expected to have a lower Power value and a longer delay in returning to an operational state:

**mechoff(1)** : An off state where no Energy Object features are available. The Energy Object is unavailable. No energy is being consumed and the power connector can be removed.

**softoff(2)** : Similar to `mechoff(1)`, but some components remain powered or receive trace power so that the Energy Object can be awakened from its off state. In `softoff(2)`, no context is saved and the device typically requires a complete boot when awakened.

**hibernate(3)** : No Energy Object features are available. The Energy Object may be awakened without requiring a complete boot, but the time for availability is longer than `sleep(4)`. An example for state `hibernate(3)` is a save to-disk state where DRAM context is not maintained. Typically, energy consumption is zero or close to zero.

**sleep(4)** : No Energy Object features are available, except for out-of-band management, such as wake-up mechanisms. The time for availability is longer than standby(5). An example for state sleep(4) is a save-to-RAM state, where DRAM context is maintained. Typically, energy consumption is close to zero.

**standby(5)** : No Energy Object features are available, except for out-of-band management, such as wake-up mechanisms. This mode is analogous to cold-standby. The time for availability is longer than ready(6). For example processor context is may not be maintained. Typically, energy consumption is close to zero.

**ready(6)** : No Energy Object features are available, except for out-of-band management, such as wake-up mechanisms. This mode is analogous to hot-standby. The Energy Object can be quickly transitioned into an operational state. For example, processors are not executing, but processor context is maintained.

**lowMinus(7)** : Indicates some Energy Object features may not be available and the Energy Object has taken measures or selected options to use less energy than low(8).

**low(8)** : Indicates some features may not be available and the Energy Object has taken measures or selected options to use less energy than mediumMinus(9).

**mediumMinus(9)**: Indicates all Energy Object features are available but the Energy Object has taken measures or selected options to use less energy than medium(10).

**medium(10)** : Indicates all Energy Object features are available but the Energy Object has taken measures or selected options to use less energy than highMinus(11).

**highMinus(11)**: Indicates all Energy Object features are available and has taken measures or selected options to use less energy than high(12).

**high(12)** : Indicates all Energy Object features are available and the Energy Object may use the maximum energy as indicated by the Nameplate Power.



### 6.5.5. Power State Sets Comparison

A comparison of Power States from different Power State Sets can be seen in the following table:

IEEE1621	DMTF	ACPI	EMAN
Non-operational states			
off	Off-Hard	G3, S5	MechOff(1)
off	Off-Soft	G2, S5	SoftOff(2)
off	Hibernate	G1, S4	Hibernate(3)
sleep	Sleep-Deep	G1, S3	Sleep(4)
sleep	Sleep-Light	G1, S2	Standby(5)
sleep	Sleep-Light	G1, S1	Ready(6)
Operational states:			
on	on	G0, S0, P5	LowMinus(7)
on	on	G0, S0, P4	Low(8)
on	on	G0, S0, P3	MediumMinus(9)
on	on	G0, S0, P2	Medium(10)
on	on	G0, S0, P1	HighMinus(11)
on	on	G0, S0, P0	High(12)

### 6.6. Relationships

The Energy Object (Class) contains a set of Relationship (Class) attributes to model the relationships between devices and components. Two Energy Objects can establish an Energy Object Relationship to model the deployment topology with respect to Energy Management.

Relationships are modeled with a Relationship (Class) that contains the UUID of the other participant in the relationship and a name that describes the type of relationship [CHEN]. The types of relationships are: Power Source, Metering, and Aggregations.

- o A Power Source Relationship is relationship where one Energy Object provides power to one or more Energy Objects. The Power Source Relationship gives a view of the physical wiring topology. For example: a data center server receiving power from two specific Power Interfaces from two different PDUs.

Note: A Power Source Relationship may or may not change as the direction of power changes between two Energy Objects. The relationship may remain to indicate the change of power direction was unintended or an error condition.

- o A Metering Relationship is relationship where one Energy Object measures power, energy, demand or Power Attributes of one or more other Energy Objects. The Metering Relationship gives the view of the metering topology. Physical meters can be placed anywhere in a power distribution tree. For example, utility meters monitor and report accumulated power consumption of the entire building. Logically, the metering topology overlaps with the wiring topology, as meters are connected to the wiring topology. A typical example is meters that clamp onto the existing wiring.
- o An Aggregation Relationship is a relationship where one Energy Object aggregates Energy Management information of one or more other Energy Objects. The Aggregation Relationship gives a model of devices that may aggregate (sum, average, etc) values for other devices. The Aggregation Relationship is slightly different compared to the other relationships as this refers more to a management function.

In some situations, it is not possible to discover the Energy Object relationships, and an EnMS or administrator must set them. Given that relationships can be assigned manually, the following sections describe guidelines for use.

#### **6.6.1. Relationship Conventions and Guidelines**

This Energy Management framework does not impose many "MUST" rules related to Energy Object Relationships. There are always corner cases that could be excluded with too strict specifications of relationships. However, the framework proposes a series of guidelines, indicated with "SHOULD" and "MAY".

#### **6.6.2. Guidelines: Power Source**

Power Source relationships are intended to identify the connections between Power Interfaces. This is analogous to

a Layer 2 connection in networking devices (a "one-hop connection").

The preferred modeling would be for Power Interfaces to participate in Power Source Relationships. In some cases Energy Objects may not have the capability to model Power Interfaces. Therefore a Power Source Relationship can be established between two Energy Objects or two non-connected Power Interfaces.

While strictly speaking Components and Power Interfaces on the same Device do provide or receive energy from each other, the Power Source relationship is intended to show energy transfer between Devices. Therefore the relationship is implied when on the same Device.

An Energy Object SHOULD NOT establish a Power Source Relationship with a Component.

- o A Power Source Relationship SHOULD be established with the next known Power Interface in the wiring topology.
- o The next known Power Interface in the wiring topology would be the next device implementing the framework. In some cases the domain of devices under management may include some devices that do not implement the framework. In these cases, the Power Source relationship can be established with the next device in the topology that implements the framework and logically shows the Power Source of the device.
- o Transitive Power Source relationships SHOULD NOT be established. For example, if an Energy Object A has a Power Source Relationship "Poweredby" with the Energy Object B, and if the Energy Object B has a Power Source Relationship "Poweredby" with the Energy Object C, then the Energy Object A SHOULD NOT have a Power Source Relationship "Poweredby" with the Energy Object C.

### 6.6.3. Guidelines: Metering Relationship

Metering Relationships are intended to show when one device acting as a meter is measuring the power or energy at a point in a power distribution system. Since one point of a power distribution system may cover many devices within a wiring topology, this relationship type can be seen as a set.

Some devices, however, may include measuring hardware for components, and outlets or for the entire device. For example, some PDUs may have the ability to measure power for each outlet and are commonly referred to as metered-by-outlet. Others may be able to control power at each power outlet but can only measure power at the power inlet - commonly referred to as metered-by-device.

While the Metering Relationship could be used to represent a device as metered-by-outlet or metered-by-device, the Metering Relationship SHOULD be used to model the relationship between a meter and all devices covered by the meter downstream in the power distribution system

In general:

- o A Metering Relationship MAY be established with any other Energy Object, Component, or Power Interface.
- o Transitive Metering Relationships MAY be used.
- o When there is a series of meters for one Energy Object, the Energy Object MAY establish a Metering relationship with one or more of the meters.

#### **6.6.4. Guidelines: Aggregation**

Aggregation relationships are intended to identify when one device is used to accumulate values from other devices. Typically this is for energy or power values among devices and not for Components or Power Interfaces on the same device.

The intent of Aggregation relationships is to indicate when one device is providing aggregate values for a set of other devices when it is not obvious from the power source or simple containment within a device.

Establishing aggregation relationships within the same device would make modeling more complex and the aggregated values can be implied from the use of Power Inlets, outlet and Energy Object values on the same device.

Since an EnMS is naturally a point of aggregation it is not necessary to model aggregation for Energy Management Systems.

The Aggregation Relationship is intended for power and energy. It MAY be used for aggregation of other values from

the information model, but the rules and logical ability to aggregate each attribute is out of scope for this document.

In general:

- o A Device SHOULD NOT establish an Aggregation Relationship with Components contained on the same device.
- o A Device SHOULD NOT establish an Aggregation Relationship with the Power Interfaces contained on the same device.
- o A Device SHOULD NOT establish an Aggregation Relationship with an EnMS.
- o Aggregators SHOULD log or provide notification in the case of errors or missing values while performing aggregation.

#### **6.6.5. Energy Object Relationship Extensions**

This framework for Energy Management is based on three relationship types: Aggregation , Metering, and Power Source.

This framework is defined with possible future extension of new Energy Object Relationships in mind.

For example:

- o Some Devices that may not be IP connected. This can be modeled with a proxy relationship to an Energy Object within the domain. This type of proxy relationship is left for further development.
- o A Power Distribution Unit (PDU) that allows devices and components like outlets to be "ganged" together as a logical entity for simplified management purposes, could be modeled with an extension called a "gang relationship", whose semantics would specify the Energy Objects' grouping.

### **7. Energy Management Information Model**

This section presents an information model expression of the concepts in this framework as a reference for implementers. The information model is implemented as a MIB in the different related IETF EMAN documents. However, other programming structures with different data models could be used as well.

Data modeling specifications of this information model may where needed specify which attributes are required or optional.

**Syntax**

UML Construct [ISO-IEC-19501-2005]	Equivalent Notation
-----	
Notes	// Notes
Class	
(Generalization)	CLASS name {member..}
Sub-Class	
(Specialization)	CLASS subclass EXTENDS superclass {member..}
Class Member	
(Attribute)	attribute : type

**Model**

```

CLASS EnergyObject {
    // identification / classification
    index      : int
    identifier  : uuid
    alternatekey : string

    // context
    domainName      : string
    role            : string
    keywords [0..n] : string
    importance      : int

    // relationship
    relationships [0..n] : Relationship

    // measurements
    nameplate      : Nameplate
    power          : PowerMeasurement
    energy         : EnergyMeasurment
    demand        : DemandMeasurement

    // control
    powerControl [0..n] : PowerStateSet
}

```

```
CLASS PowerInterface EXTENDS EnergyObject{
    eoIfType : enum { inlet, outlet, both}
}

CLASS Device EXTENDS EnergyObject {
    eocategory : enum { producer, consumer, meter,
distributor, store }
    powerInterfaces[0..n]: PowerInterface
    components [0..n] : Component
}

CLASS Component EXTENDS EnergyObject
    eocategory : enum { producer, consumer, meter,
distributor, store }
    powerInterfaces[0..n]: PowerInterface
    components [0..n] : Component
}

CLASS Nameplate {
    nominalPower : PowerMeasurement
    details : URI
}

CLASS Relationship {
    relationshipType : enum { meters, meteredby,
powers, poweredby, aggregates, aggregatedby }
    relationshipObject : uuid
}

CLASS Measurement {
    multiplier: enum { -24..24}
    caliber : enum { actual, estimated, static }
    accuracy : enum { 0..10000} // hundreds of percent
}

CLASS PowerMeasurement EXTENDS Measurement {
    value : long
    units : "W"
    powerAttribute : PowerAttribute
}

CLASS EnergyMeasurement EXTENDS Measurement {
    startTime : time
    units : "kWh"
    provided : long
    used : long
    produced : long
}
```

```
        stored      : long
    }

    CLASS TimedMeasurement EXTENDS Measurement {
        startTime    : timestamp
        value         : Measurement
        maximum      : Measurement
    }

    CLASS TimeInterval {
        value         : long
        units         : enum { seconds, milliseconds,...}
    }

    CLASS DemandMeasurement EXTENDS Measurement {
        intervalLength : TimeInterval
        intervals       : long
        intervalMode   : enum { periodic, sliding, total }
        intervalWindow : TimeInterval
        sampleRate     : TimeInterval
        status          : enum { active, inactive }
        measurements[0..n] : TimedMeasurements
    }

    CLASS PowerStateSet {
        powerSetIdentifier : int
        name                : string
        powerStates [0..n] : PowerState
        operState          : int
        adminState         : int
        reason              : string
        configuredTime     : timestamp
    }

    CLASS PowerState {
        powerStateIdentifier : int
        name                  : string
        cardinality           : int
        maximumPower         : PowerMeasurement
        totalTimeInState     : time
        entryCount           : long
    }

    CLASS PowerAttribute {
        acQuality : ACQuality
    }

    CLASS ACQuality {
        acConfiguration : enum {SNGL, DEL,WYE}
    }
```



```
        avgVoltage      : long
        avgCurrent      : long
        frequency       : long
        unitMultiplier  : int
        accuracy        : int
        totalActivePower : long
        totalReactivePower : long
        totalApparentPower : long
        totalPowerFactor : long
        phases [0..2]   : ACPhase
    }

    CLASS ACPhase {
        phaseIndex      : long
        avgCurrent      : long
        activePower     : long
        reactivePower   : long
        apparentPower   : long
        powerFactor     : long
    }

    CLASS DelPhase EXTENDS ACPhase {
        phaseToNextPhaseVoltage : long
        thdVoltage : long
        thdCurrent : long
    }

    CLASS WYEPhase EXTENDS ACPhase {
        phaseToNeutralVoltage : long
        thdCurrent : long
        thdVoltage : long
    }
}
```

## 8. Modeling Relationships between Devices

In this section we give examples of how to use the EMAN information model to model physical topologies. Where applicable, we show how the framework can be applied when devices can be modeled with Power Interfaces. We also show how the framework can be applied when devices cannot be modeled with Power Interfaces but only monitored or control as a whole. For instance, a PDU may only be able to measure power and energy for the entire unit without the ability to distinguish among the inlets or outlets.

### 8.1. Power Source Relationship

The Power Source relationship is used to model the interconnections between devices, components and/Power

Interfaces to indicate the source of energy for a device. In the following examples we show variations on modeling the reference topologies using relationships.

Given for all cases:

Device W: A computer with one power supply. Power Interface 1 is an inlet for Device W.

Device X: A computer with two power supplies. Power Interface 1 and power interface 2 are both inlets for Device X.

Device Y: A PDU with multiple Power Interfaces numbered 0..10. Power Interface 0 is an inlet and Power Interface 1..10 are outlets.

Device Z: A PDU with multiple Power Interfaces numbered 0..10. Power Interface 0 is an inlet and Power Interface 1..10 are outlets.

**Case 1: Simple Device with one Source**

Physical Topology:

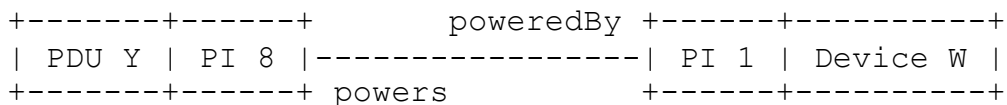
- o Device W inlet 1 is plugged into Device Y outlet 8.

With Power Interfaces:

- o Device W has an Energy Object representing the computer itself as well as one Power Interface defined as an inlet.
- o Device Y would have an Energy Object representing the PDU itself (the Device), with a Power Interface 0 defined as an inlet and Power Interfaces 1..10 defined as outlets.

The interfaces of the devices would have a Power Source Relationship such that:

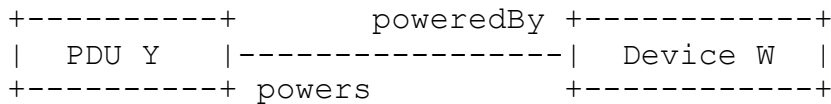
Device W inlet 1 is powered by Device Y outlet 8.



Without Power Interfaces:

- o Device W has an Energy Object representing the computer.
- o Device Y would have an Energy Object representing the PDU.

The devices would have a Power Source Relationship such that:  
 Device W is powered by Device Y.



**Case 2: Multiple Inlets**

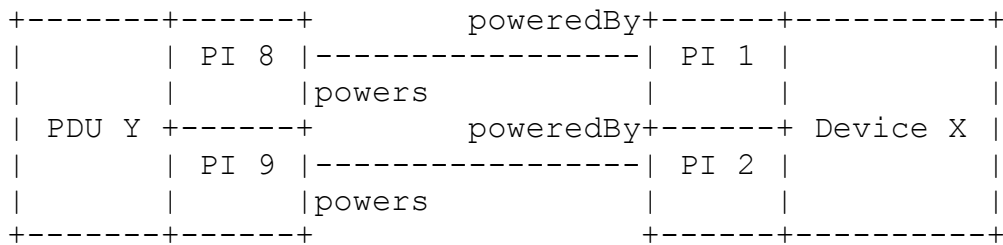
Physical Topology:

- o Device X inlet 1 is plugged into Device Y outlet 8.
- o Device X inlet 2 is plugged into Device Y outlet 9.

With Power Interfaces:

- o Device X has an Energy Object representing the computer itself. It contains two Power Interfaces defined as inlets.
- o Device Y would have an Energy Object representing the PDU itself (the Device), with a Power Interface 0 defined as an inlet and Power Interfaces 1..10 defined as outlets.

The interfaces of the devices would have a Power Source Relationship such that:  
 Device X inlet 1 is powered by Device Y outlet 8.  
 Device X inlet 2 is powered by Device Y outlet 9.

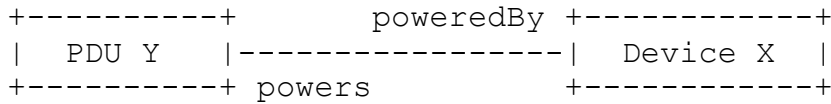


Without Power Interfaces:

- o Device X has an Energy Object representing the computer. Device Y has an Energy Object representing the PDU.

The devices would have a Power Source Relationship such that:

Device X is powered by Device Y.



**Case 3: Multiple Sources**

Physical Topology:

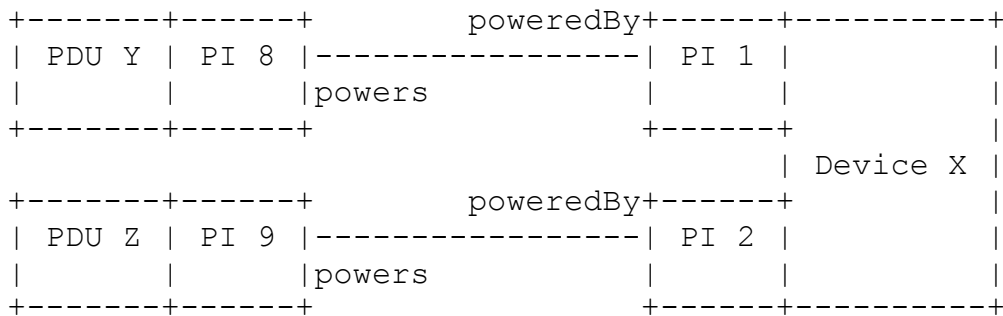
- o Device X inlet 1 is plugged into Device Y outlet 8.
- o Device X inlet 2 is plugged into Device Z outlet 9.

With Power Interfaces:

- o Device X has an Energy Object representing the computer itself. It contains two Power Interface defined as inlets.
- o Device Y would have an Energy Object representing the PDU itself (the Device), with a Power Interface 0 defined as an inlet and Power Interfaces 1..10 defined as outlets.
- o Device Z would have an Energy Object representing the PDU itself (the Device), with a Power Interface 0 defined as an inlet and Power Interfaces 1..10 defined as outlets.

The interfaces of the devices would have a Power Source Relationship such that:

Device X inlet 1 is powered by Device Y outlet 8.  
 Device X inlet 2 is powered by Device Z outlet 9.

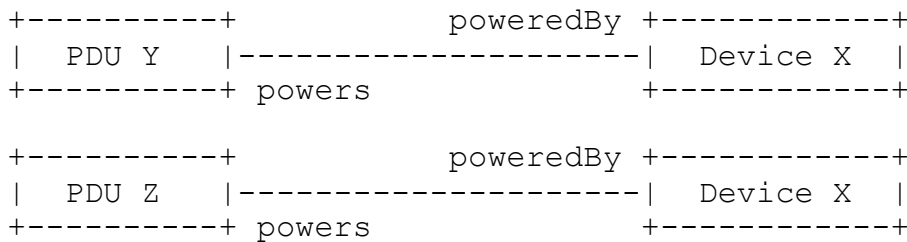


Without Power Interfaces:

- o Device X has an Energy Object representing the computer. Device Y and Z would both have respective Energy Objects representing each entire PDU.

The devices would have a Power Source Relationship such that:

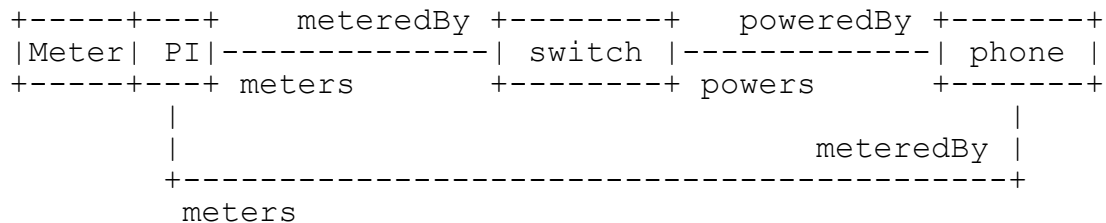
Device X is powered by Device Y and powered by Device Z.



### 8.2. Metering Relationship

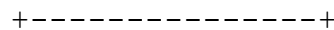
A meter in a power distribution system can logically measure the power or energy for all devices downstream from the meter in the power distribution system. As such, a Metering relationship can be seen as a relationship between a meter and all of the devices downstream from the meter.

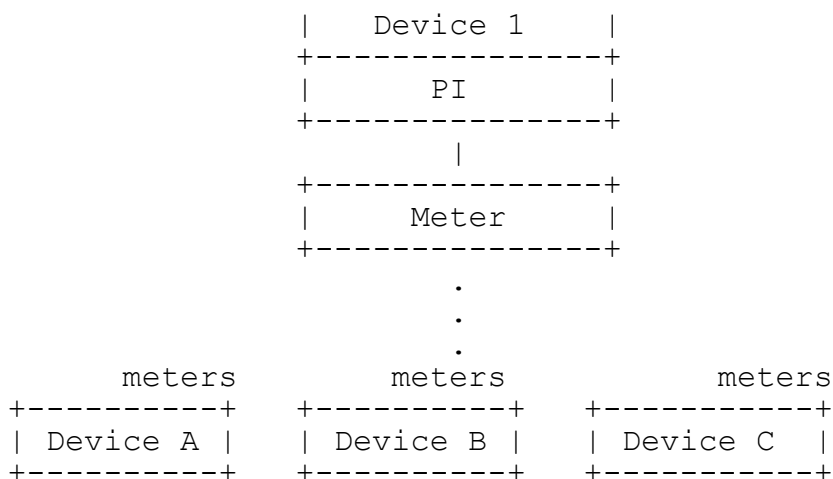
We define in this case a Metering relationship between a meter and devices downstream from the meter.



In cases where the Power Source topology cannot be discovered or derived from the information available in the Energy Management Domain, the metering topology can be used to relate the upstream meter to the downstream devices in the absence of specific Power Source relationships.

A Metering Relationship can occur between devices that are not directly connected, as shown in the following figure:





An analogy to communications networks would be modeling connections between servers (meters) and clients (devices) when the complete Layer 2 topology between the servers and clients is not known.

### 8.3. Aggregation Relationship

Some devices can act as aggregation points for other devices. For example, a PDU controller device may contain the summation of power and energy readings for many PDU devices. The PDU controller will have aggregate values for power and energy for a group of PDU devices.

This aggregation is independent of the physical power or communication topology.

The functions that the aggregation point may perform include the calculation of values such as average, count, maximum, median, minimum, or the listing (collection) of the aggregation values, etc.

Based on the experience gained on aggregations at the IETF [draft-ietf-ipfix-a9n-08], the aggregation function in the EMAN framework is limited to the summation.

When aggregation occurs across a set of entities, values to be aggregated may be missing for some entities. The EMAN framework does not specify how these should be treated, as different implementations may have good reason to take different approaches. One common treatment is to define the aggregation as missing if any of the constituent elements are missing (useful to be most precise). Another is to treat the missing value as zero (useful to have continuous data streams).

The specifications of aggregation functions are out of scope of the EMAN framework, but must be clearly specified by the equipment vendor.

## 9. Relationship to Other Standards

This Energy Management framework uses, as much as possible, existing standards especially with respect to information modeling and data modeling [RFC3444].

The data model for power- and energy-related objects is based on [IEC61850].

Specific examples include:

- o The scaling factor, which represents Energy Object usage magnitude, conforms to the [IEC61850] definition of unit multiplier for the SI (System International) units of measure.
- o The electrical characteristic is based on the ANSI and IEC Standards, which require that we use an accuracy class for power measurement. ANSI and IEC define the following accuracy classes for power measurement:
  - o IEC 62053-22 60044-1 class 0.1, 0.2, 0.5, 1 3.
  - o ANSI C12.20 class 0.2, 0.5
- o The electrical characteristics and quality adhere closely to the [IEC61850-7-4] standard for describing AC measurements.
- o The power state definitions are based on the DMTF Power State Profile and ACPI models, with operational state extensions.

## 10. Implementation Status

[Note to RFC Editor: Please remove this section and the reference to [RFC6982] before publication.]

This section records the status of known implementations of the protocol defined by this specification at the time of posting of this Internet-Draft, and is based on a proposal described in RFC6982. The description of implementations in this section is intended to assist the IETF in its decision processes in progressing drafts to RFCs. Please note that the listing of any individual implementation here does not imply endorsement by the IETF. Furthermore, no effort has been spent to verify the information presented here that was supplied by IETF contributors. This is not intended as, and must not be construed to be, a catalog of

available implementations or their features. Readers are advised to note that other implementations may exist.

According to RFC 6982, "this will allow reviewers and working groups to assign due consideration to documents that have the benefit of running code, which may serve as evidence of valuable experimentation and feedback that have made the implemented protocols more mature.

Implementation descriptions for this document are maintained at:

<http://tools.ietf.org/wg/eman/trac/wiki/EmanImplementations>

## 11. Security Considerations

Regarding the data attributes specified here, some or all may be considered sensitive or vulnerable in some network environments. Reading or writing these attributes without proper protection such as encryption or access authorization may have negative effects on network capabilities.

The information and control capabilities specified in this framework could be exploited with detriment to a site or deployment. Implementers of the framework SHOULD examine and mitigate security threats with respect to these new capabilities.

[RFC3410] User Security Model for SNMPv3 presents a good description of threats and mitigations for the SNMPv3 protocol that can be used as a guide for implementations of this framework using other protocols.

### 11.1. Security Considerations for SNMP

Readable objects in MIB modules (i.e., objects with a MAX-ACCESS other than not-accessible) may be considered sensitive or vulnerable in some network environments. It is important to control GET and/or NOTIFY access to these objects and possibly to encrypt the values of these objects when sending them over the network via SNMP.

The support for SET operations in a non-secure environment without proper protection can have a negative effect on network operations.

For example:



- o Unauthorized changes to the Energy Management Domain or business context of a device may result in misreporting or interruption of power.
- o Unauthorized changes to a power state may disrupt the power settings of the different devices, and therefore the state of functionality of the respective devices.
- o Unauthorized changes to the demand history may disrupt proper accounting of energy usage.

With respect to data transport, SNMP versions prior to SNMPv3 did not include adequate security. Even if the network itself is secure (for example, by using IPsec), there is still no secure control over who on the secure network is allowed to access and GET/SET (read/change/create/delete) the objects in these MIB modules.

It is recommended that implementers consider the security features as provided by the SNMPv3 framework (see [RFC3410], section 8), including full support for the SNMPv3 cryptographic mechanisms (for authentication and privacy).

Further, deployment of SNMP versions prior to SNMPv3 is not recommended. Instead, it is recommended to deploy SNMPv3 and to enable cryptographic security. It is then a customer/operator responsibility to ensure that the SNMP entity giving access to an instance of these MIB modules is properly configured to give access to the objects only to those principals (users) that have legitimate rights to GET or SET (change/create/delete) them.

## **12. IANA Considerations**

### **12.1. IANA Registration of new Power State Sets**

This document specifies an initial set of Power State Sets. The list of these Power State Sets with their numeric identifiers is given in Section 6. IANA maintains the lists of Power State Sets.

New assignments for Power State Set are administered by IANA through Expert Review [RFC5226], i.e., review by one of a group of experts designated by an IETF Area Director. The group of experts MUST check the requested state for completeness and accuracy of the description. A pure vendor specific implementation of Power State Set shall not be

adopted; since it would lead to proliferation of Power State Sets.

Power states in a Power State Set are limited to 255 distinct values. New Power State Set must be assigned the next available numeric identifier that is a multiple of 256.

#### **12.1.1. IANA Registration of the IEEE1621 Power State Set**

This document specifies a set of values for the IEEE1621 Power State Set [IEEE1621]. The list of these values with their identifiers is given in Section 6.6.2. IANA created a new registry for IEEE1621 Power State Set identifiers and filled it with the initial list of identifiers.

New assignments (or potentially deprecation) for the IEEE1621 Power State Set is administered by IANA through Expert Review [RFC5226], i.e., review by one of a group of experts designated by an IETF Area Director. The group of experts must check the requested state for completeness and accuracy of the description.

#### **12.1.2. IANA Registration of the DMTF Power State Set**

This document specifies a set of values for the DMTF Power State Set. The list of these values with their identifiers is given in Section 6. IANA has created a new registry for DMTF Power State Set identifiers and filled it with the initial list of identifiers.

New assignments (or potentially deprecation) for the DMTF Power State Set is administered by IANA through Expert Review [RFC5226], i.e., review by one of a group of experts designated by an IETF Area Director. The group of experts must check the conformance with the DMTF standard [DMTF], on the top of checking for completeness and accuracy of the description.

#### **12.1.3. IANA Registration of the EMAN Power State Set**

This document specifies a set of values for the EMAN Power State Set. The list of these values with their identifiers is given in Section 6.6.4. IANA has created a new registry for EMAN Power State Set identifiers and filled it with the initial list of identifiers.

New assignments (or potentially deprecation) for the EMAN Power State Set is administered by IANA through Expert

Review [RFC5226], i.e., review by one of a group of experts designated by an IETF Area Director. The group of experts must check the requested state for completeness and accuracy of the description.

#### **12.1.4. Batteries Power State Set**

Batteries have operational and administrative states that could be represented as a Power State Set. Since the work for battery management is parallel to this document, we are not proposing any Power State Sets for batteries at this time.

#### **12.2. Updating the Registration of Existing Power State Sets**

With the evolution of standards, over time, it may be important to deprecate some of the existing the Power State Sets, or to add or deprecate some Power States within a Power State Set.

The registrant shall publish an Internet-draft or an individual submission with the clear specification on deprecation of Power State Sets or Power States registered with IANA. The deprecation or addition shall be administered by IANA through Expert Review [RFC5226], i.e., review by one of a group of experts designated by an IETF Area Director. The process should also allow for a mechanism for cases where others have significant objections to claims on deprecation of a registration.

### **13. References**

#### **Normative References**

- [RFC2119] Bradner, S., "Key words for use in RFCs to Indicate Requirement Levels", BCP 14, RFC 2119, March 1997
- [RFC3410] Case, J., Mundy, R., Partain, D., and B. Stewart, "Introduction and Applicability Statements for Internet Standard Management Framework ", RFC 3410, December 2002
- [RFC4122] Leach, P., Mealling, M., and R. Salz, " A Universally Unique Identifier (UUID) URN Namespace", RFC 4122, July 2005

- [RFC5226] Narten, T., and H. Alvestrand, "Guidelines for Writing an IANA Considerations Section in RFCs", RFC 5226, May 2008
- [RFC6933] Bierman, A. and K. McCloghrie, "Entity MIB (Version4)", RFC 6933, May 2013
- [RFC3444] Pras, A., Schoenwaelder, J. "On the Differences between Information Models and Data Models", RFC 3444, January 2003
- [ISO-IEC-19501-2005] ISO/IEC 19501:2005, Information technology, Open Distributed Processing -- Unified Modeling Language (UML), January 2005

### **Informative References**

- [RFC2578] McCloghrie, K., Perkins, D., and J. Schoenwaelder, "Structure of Management Information Version 2 (SMIV2)", RFC 2578, April 1999
- [RFC5101bis] Claise, B., Ed., and Trammell, T., Ed., "Specification of the IP Flow Information Export (IPFIX) Protocol for the Exchange of IP Traffic Flow Information ", draft-ietf-ipfix-protocol-rfc5101bis-08, (work in progress), June 2013
- [RFC6020] M. Bjorklund, Ed., " YANG - A Data Modeling Language for the Network Configuration Protocol (NETCONF)", RFC 6020, October 2010
- [RFC3986] T. Berners-Lee, Ed., " Uniform Resource Identifier (URI): Generic Syntax", RFC3 986, January 2005
- [ACPI] "Advanced Configuration and Power Interface Specification", <http://www.acpi.info/spec30b.htm>
- [IEEE1621] "Standard for User Interface Elements in Power Control of Electronic Devices Employed in Office/Consumer Environments", IEEE 1621, December 2004
- [LLDP] IEEE Std 802.1AB, "Station and Media Control Connectivity Discovery", 2005

- [LLDP-MED-MIB] ANSI/TIA-1057, "The LLDP Management Information Base extension module for TIA-TR41.4 media endpoint discovery information", July 2005
- [ITU-T-M-3400] TMN Recommendation on Management Functions (M.3400), 1997
- [NMF] "Network Management Fundamentals", Alexander Clemm, ISBN: 1-58720-137-2, 2007
- [TMN] "TMN Management Functions : Performance Management", ITU-T M.3400
- [IEEE100] "The Authoritative Dictionary of IEEE Standards Terms"  
<http://ieeexplore.ieee.org/xpl/mostRecentIssue.jspx?punumber=4116785>
- [ISO50001] "ISO 50001:2011 Energy management systems - Requirements with guidance for use",  
<http://www.iso.org/>
- [IEC60050] International Electrotechnical Vocabulary  
<http://www.electropedia.org/iev/iev.nsf/welcome?openform>
- [IEC61850] Power Utility Automation,  
<http://www.iec.ch/smartgrid/standards/>
- [IEC61850-7-4] Abstract communication service interface (ACSI), <http://www.iec.ch/smartgrid/standards/>
- [IEEE-802.3at] IEEE 802.3 Working Group, "IEEE Std 802.3at-2009 - IEEE Standard for Information technology - Telecommunications and information exchange between systems - Local and metropolitan area networks - Specific requirements - Part 3: Carrier Sense Multiple Access with Collision Detection (CSMA/CD) Access Method and Physical Layer Specifications - Amendment: Data Terminal Equipment (DTE) - Power via Media Dependent Interface (MDI) Enhancements", October 2009
- [DMTF] "Power State Management Profile DMTF DSP1027 Version 2.0" December 2009  
[http://www.dmtf.org/sites/default/files/standards/documents/DSP1027\\_2.0.0.pdf](http://www.dmtf.org/sites/default/files/standards/documents/DSP1027_2.0.0.pdf)

- [IPENERGY] R. Aldrich, J. Parello "IP-Enabled Energy Management", 2010, Wiley Publishing
- [X.700] CCITT Recommendation X.700 (1992), Management framework for Open Systems Interconnection (OSI) for CCITT applications
- [ASHRAE-201] "ASHRAE Standard Project Committee 201 (SPC 201) Facility Smart Grid Information Model", <http://spc201.ashraeeps.org>
- [CHEN] "The Entity-Relationship Model: Toward a Unified View of Data", Peter Pin-shan Chen, ACM Transactions on Database Systems, 1976
- [CISCO-EW] "Cisco EnergyWise Design Guide", John Parello, Roland Saville, Steve Kramling, Cisco Validated Designs, September 2010, [http://www.cisco.com/en/US/docs/solutions/Enterprise/Borderless\\_Networks/Energy\\_Management/energywiseedg.html](http://www.cisco.com/en/US/docs/solutions/Enterprise/Borderless_Networks/Energy_Management/energywiseedg.html)

## 14. Acknowledgments

The authors would like to thank Michael Brown for his editorial work improving the text dramatically. Thanks to Rolf Winter for his feedback and to Bill Mielke for feedback and very detailed review. Thanks to Bruce Nordman for brainstorming with numerous conference calls and discussions. Finally, the authors would like to thank the EMAN chairs: Nevil Brownlee, Bruce Nordman, and Tom Nadeau.

This document was prepared using 2-Word-v2.0.template.dot.

## Appendix A. Information Model Listing

### EnergyObject (Class)

r	index	Integer	An RFC6933 entPhysicalIndex
w	name	String	An RFC6933 entPhysicalName
r	identifier	uuid	An [RFC6933]

			entPhysicalUUID
rw	alternatekey	String	A manufacturer defined string that can be used to identify the Energy Object
rw	domainName	String	The name of an Energy Management domain for the Energy Object
rw	role	String	An administratively assigned name to indicate the purpose an Energy Object serves in the network
rw	keywords [0..n]	String	A list of keywords or tags that can be used to group Energy Objects for reporting or searching
rw	importance	Integer	Specifies a ranking of how important the Energy Object is (on a scale of 1 to 100) compared with other Energy Objects
rw	relationships [0..n]	Relationship	A list of relationships between this Energy Object and other Energy Objects
r	nameplate	Nameplate	The nominal PowerMeasurement of the Energy Object as specified by the device manufacturer
r	power	PowerMeasurement	The present power measurement of the Energy Object
r	energy	EnergyMeasurement	The present energy measurement for the Energy Object

r	demand	DemandMeasurement	The present demand measurement for the Energy Object
r	powerControl [0..n]	PowerStateSet	A list of Power States Sets the Energy Object supports

**PowerInterface (Class) inherits from and specializes EnergyObject**

r	eoIfType	Enumeration	Indicates if the Power Interface is an - inlet; outlet; both
---	----------	-------------	--



**Device (Class) inherits from and specializes EnergyObject**

rw	eocategory	Enumeration	Broadly indicates if the Device is a producer consumer meter distributor or store of energy
r	powerInterfaces [0..n]	PowerInterface	A list of PowerInterfaces contained in this Device
r	components [0..n]	Component	A list of Components contained in this Device

**Component (Class) inherits from and specializes EnergyObject**

rw	eocategory	Enumeration	Broadly indicates if the Component is a producer consumer meter distributor or store of energy
r	powerInterfaces [0..n]	PowerInterface	A list of PowerInterfaces contained in this Component
r	components [0..n]	Component	A list of Components contained in this Component

**Nameplate (Class)**

r	nominalPower	PowerMeasurement	The nominal power of the Energy Object as specified by the device manufacturer
rw	details	URI	an [RFC3986] URI that links to manufacturer information about the nominal power of a device

**Relationship (Class)**

rw	relationshipType	Enumeration	A description of the relationship indicating - meters; meteredby; powers; poweredby; aggregates; aggregatedby
rw	relationshipObject	uuid	An [RFC6933] entPhysicalUUID that indicates the other participating Energy Object in the relationship

**Measurement (Class)**

r	multiplier	Enumeration	The magnitude of the Measurement in the range - 24..24
r	caliber	Enumeration	Specifies how the Measurement was obtained - actual; estimated; static
r	accuracy	Enumeration	Specifies the accuracy of the measurement if applicable as 0..10000 indicating hundreds of percent

**PowerMeasurement (Class) inherits from and specializes Measurement**

r	value	Long	A measurement value of power
r	units	"W"	The units of measure for the power - "Watts"
r	powerAttribute	PowerAttribute	Measurement of the electrical current; voltage; phase and/or frequencies for the PowerMeasurement

**EnergyMeasurement (Class) inherits from and specializes Measurement**

r	startTime	Time	Specifies the start time of the EnergyMeasurement interval
r	units	"kWh"	The units of measure for the energy - kilowatt hours
r	provided	Long	A measurement of energy provided
r	used	Long	A measurement of energy used / consumed
r	produced	Long	A measurement of energy produced
r	stored	Long	A measurement of energy stores

**TimedMeasurement (Class) inherits from and specializes Measurement**

r	startTime	timestamp	A start time of a measurement
r	value	Measurement	A measurement value
r	maximum	Measurement	A maximum value measured since a

previous timestamp

### **TimeInterval (Class)**

r	value	Long	a value of time
r	units	Enumeration	a magnitude of time express as seconds with an SI prefix (milliseconds etc)

### **DemandMeasurement (Class) inherits from and specializes Measurement**

rw	intervalLength	TimeInterval	The length of time over which to compute average energy
rw	intervals	Long	The number of intervals that can be measured
rw	intervalMode	Enumeration	The mode of interval measurement as - periodic; sliding; total
rw	intervalWindow	TimeInterval	The duration between the starting time of one sliding window and the next starting time
rw	sampleRate	TimeInterval	The sampling rate at which to poll power in order to compute demand
rw	status	Enumeration	a control to start or stop demand measurement as - active; inactive
r	measurements[0..n]	TimedMeasurement	a collection of TimedMeasurements to compute demand

**PowerStateSet (Class)**

r	powerSetIdentifier	Integer	an IANA assigned value indicating a Power State Set
r	name	String	A Power State Set name
r	powerStates [0..n]	PowerState	a set of Power States for the given identifier
rw	operState	Integer	The current operational Power State
rw	adminState	Integer	The desired Power State
rw	reason	String	Describes the reason for the adminState
r	configuredTime	timestamp	Indicates the time of the desired Power State

**PowerState (Class)**

r	powerStateIdentifier	Integer	an IANA assigned value indicating a Power State
r	name	String	A name for the Power State
r	cardinality	Integer	A value indicating an ordering of the Power State
rw	maximumPower	PowerMeasurement	indicates the maximum power for the Energy Object at this Power State
r	totalTimeInState	Time	Indicates the total time an Energy Object has been in this Power State since last reset
r	entryCount	Long	Indicates the number of time the Energy Object

has entered changed to  
this state

### PowerAttribute (Class)

r acQuality ACQuality Describes AC Power Attributes for  
a Measurement

### ACQuality (Class)

r acConfiguration	Enumera tion	Describes the physical configuration of alternating current as single phase (SNGL) three phase delta (DEL) or three phase Y (WYE)
r avgVoltage	Long	The average of the voltage measured over an integral number of AC cycles [IEC61850-7-4] 'Vol'
r avgCurrent	Long	The current per phase [IEC61850-7-4] 'Amp'
r frequency	Long	Basic frequency of the AC circuit [IEC61850-7-4] 'Hz'
r unitMultiplier	Integer	Magnitude of watts for the usage value in this instance
r accuracy	Integer	Percentage value in 100ths of a percent representing the presumed accuracy of active; reactive; and apparent power in this instance
r totalActivePower	Long	A measured value of the actual power delivered to or consumed by the load [IEC61850-7-4] 'TotW'
r totalReactivePower	Long	A measured value of the reactive portion of the apparent power [IEC61850-7-

4] 'TotVAr'

r	totalApparentPower	Long	A measured value of the voltage and current which determines the apparent power as the vector sum of real and reactive power [IEC61850-7-4] 'TotVA'
r	totalPowerFactor	Long	A measured value of the ratio of the real power flowing to the load versus the apparent power [IEC61850-7-4] 'TotPF'
r	phases [0..2]	ACPhase	A description of the three phase power

**ACPhase (Class)**

r	phaseIndex	Long	A phase angle typically corresponding to - 0; 120; 240
r	avgCurrent	Long	A measured value of the current per phase [IEC61850-7-4] 'A'
r	activePower	Long	A measured value of the actual power delivered to or consumed by the load [IEC61850-7-4] 'W'
r	reactivePower	Long	A measured value of the reactive portion of the apparent power [IEC 61850-7-4] 'VAr'
r	apparentPower	Long	A measured value of the active plus reactive power [IEC61850-7-4] 'VA'
r	powerFactor	Long	A measure ratio of the real power flowing to the load versus the apparent power for this phase [IEC61850-7-4] 'PF'

**DelPhase (Class) inherits from and specializes ACPhase**

r	phaseToNextPhase Voltage	Long	A measured value of phase to next phase voltages where the next phase is [IEC61850-7-4] 'PPV'
r	thdVoltage	Long	A calculated value for the voltage total harmonic distortion for phase to next phase. Method of calculation is not specified [IEC61850-7-4] 'ThdPPV'
r	thdCurrent	Long	A calculated value for the voltage total harmonic distortion (THD) for phase to phase. Method of calculation is not specified [IEC61850-7-4] 'ThdPPV'

**WYEPhase (Class) inherits from and specializes ACPhase**

r	phaseToNeutral Voltage	Long	A measured value of phase to neutral voltage [IEC61850-7-4] 'PhV'
r	thdCurrent	Long	A measured value of phase currents [IEC 61850-7-4] 'A'
r	thdVoltage	Long	A calculated value of the voltage total harmonic distortion (THD) for phase to neutral [IEC61850-7-4] 'ThdPhV'

**Authors' Addresses**

John Parello  
Cisco Systems, Inc.  
3550 Cisco Way  
San Jose, California 95134  
US

Phone: +1 408 525 2339  
Email: jparello@cisco.com

Benoit Claise  
Cisco Systems, Inc.  
De Kleetlaan 6a b1



Diegem 1813  
BE

Phone: +32 2 704 5622  
Email: bclaise@cisco.com

Brad Schoening  
44 Rivers Edge Drive  
Little Silver, NJ 07739  
US

Phone:  
Email: brad.schoening@verizon.net

Juergen Quittek  
NEC Europe Ltd.  
Network Laboratories  
Kurfuersten-Anlage 36  
69115 Heidelberg  
Germany

Phone: +49 6221 90511 15  
EMail: quittek@netlab.nec.de